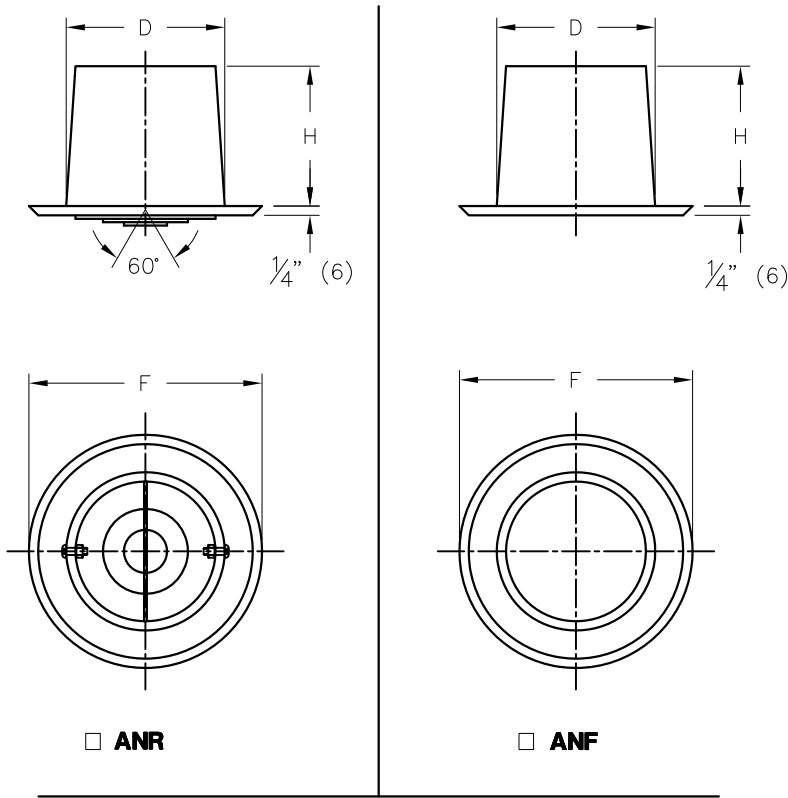


AN SERIES - AIR NOZZLE



Model		D	F	H
ANR	<input type="checkbox"/> ANR-03	3	5¼	3½
	<input type="checkbox"/> ANR-04	4	6¼	3½
	<input type="checkbox"/> ANR-05	5	7¼	4
	<input type="checkbox"/> ANR-06	6	8¼	2¼
	<input type="checkbox"/> ANR-08	8	10¼	2¼
	<input type="checkbox"/> ANR-10	10	12¼	2¼
	<input type="checkbox"/> ANR-12	12	14¼	2¼
	<input type="checkbox"/> ANR-14	14	16¼	2¼
	<input type="checkbox"/> ANR-16	16	18¼	2¼
ANF	<input type="checkbox"/> ANF-03	3	5¼	3½
	<input type="checkbox"/> ANF-04	4	6¼	3½
	<input type="checkbox"/> ANF-05	5	7¼	4
	<input type="checkbox"/> ANF-06	6	8¼	2¼
	<input type="checkbox"/> ANF-08	8	10¼	2¼
	<input type="checkbox"/> ANF-10	10	12¼	2¼
	<input type="checkbox"/> ANF-12	12	14¼	2¼
	<input type="checkbox"/> ANF-14	14	16¼	2¼
	<input type="checkbox"/> ANF-16	16	18¼	2¼

MATERIAL :

- ALUMINUM CONSTRUCTION

NOTES:

- CAN BE USED IN SUPPLY OR EXHAUST APPLICATIONS.
- PATTERN ADJUSTABILITY UP TO 30 DEGREES AND FINGER TIP DIRECTIONAL ADJUSTMENT (ANR ONLY).
- AVAILABLE SIZES : 3", 4", 5", 6", 8", 10", 12", 14", & 16".
- SIZES 3", 4" AND 5" SUPPLIED WITH CONCEALED "EZ" FASTENER.
- SIZES 6" - 16" SUPPLIED WITH CONCEALED MOUNTING RING.
- FACTORY TOLERANCE $\pm 1/16"$ (2).

OPTION:

- ANR - AIR NOZZLE WITH CORE
- ANF - AIR NOZZLE WITHOUT CORE

FINISH :

- B12 WHITE
(OPTIONAL FINISHES AVAILABLE)

ALL METRIC DIMENSIONS () ARE SOFT CONVERTED. IMPERIAL DIMENSIONS ARE CONVERTED TO METRIC AND ROUNDED TO THE NEAREST MILLIMETER.

PROJECT:		PRICE [®]	
ENGINEER:			AN SERIES ANF/ ANR - AIR NOZZLE WITH AND WITHOUT CORE
CUSTOMER:		255289	
SUBMITTAL DATE:	SPEC. SYMBOL:	2010/08/19	